



Product code : I0074A0000

PISTOLET P 400 PRO

DESCRIPTION

PISTOLET P 400 PRO is a professional grade versatile manual dispenser for the extrusion of one-component sealants and bonding products packed in sausages or cartridges.

AREAS OF APPLICATIONS

Robust and easy to handle, PISTOLET P 400 PRO allows an easy dispensing of one-component adhesives and sealants ranging from low to high viscosity. It is designed for use with aluminum or PE cartridges (from 280 to 310 ml) as well as with sausages (from 300 to 400 ml).



TECHNICAL DATA

Nature of the materials	Handle, body and trigger in aluminium
Dimensions	Inner diameter: 50-51 mm Maximum length: - Cartridge: 218 mm - Sausage: 230 mm
Thrust ratio	18 : 1
Thrust force	3 000 N
Weight	Approx. 760 g
Advantages	Versatility (useable with cartridges and sausages) Extrusion power (for all types of products) Easy handling, lightweight Robustness

INSTRUCTIONS FOR USE

Hold the trigger on the back of the dispenser to unlock the metal rod. Manually pull the rod back, check that it is not loose and still straight to avoid pushing crooked during use. Unscrew the clamping ring of the dispenser.

Use with sausages: check that the adapter specific to sausages is in place on the metal rod, then introduce the sausage into the dispenser, open it at the clip with a cutting pliers and set up the cannula.

Use with cartridges:

- Aluminum cartridges: pierce the seal of the aluminum cartridge and remove, if there is one, the "easy-opening" protection system.
- PE cartridges: cut the tip of PE cartridges with a suitable tool.

Check that the specific adapter for sausages is not in place on the metal rod (if necessary, unscrew it) then introduce the cartridge equipped with a cannula into the dispenser.

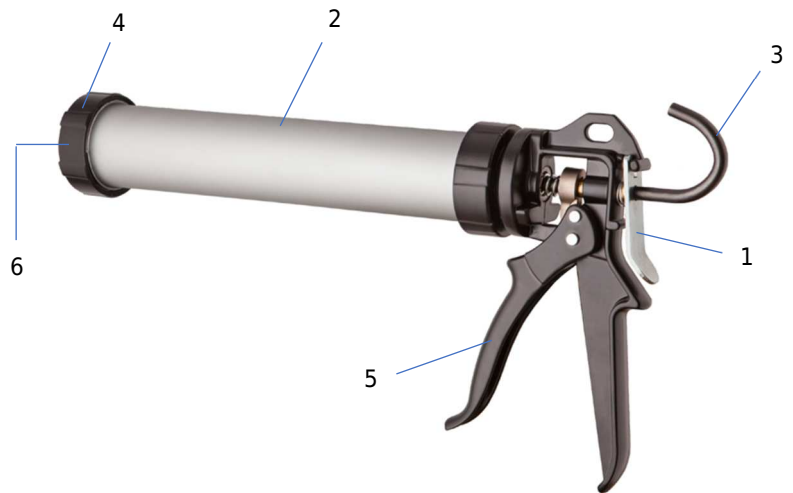
Close the clamping ring and press the handle to set in motion the metal rod (with or without specific adapter) which will come into contact with the sausage or the piston of the cartridge and allow the extrusion of the product.

Push the trigger at the back of the dispenser to stop the flow of the product.

Do the reverse to remove the sausage or cartridge from the dispenser.

Make sure to keep the dispenser clean (especially the inside of the body) to give it a better lifespan.

1	Trigger
2	Body
3	Metal rod
4	Clamping ring
5	Handle
6	Specific adapter for sausages (screwed on the rod, inside the body)



PACKAGING

Unit sale.

The technical data contained herein is based on our present knowledge and experience and we cannot be held liable for any errors, inaccuracies, omissions or editorial failings that result from technological changes or research between the date of issue of this document and the date the product is acquired.

Before using the product, the user should carry out any necessary tests in order to ensure that the product is suitable for the intended application. Moreover, all users should contact the seller or the manufacturer of the product for additional technical information concerning its use if they think that the information in their possession needs to be clarified in any way, whether for normal use or a specific application of our product.

Our guarantee applies within the context of the statutory regulations and provisions in force, current professional standards and in accordance with the stipulations set out in our general sales conditions.

The information detailed in the present technical data sheet is given by way of indication and is not exhaustive. The same applies to any information provided verbally by telephone to any prospective or existing customer.